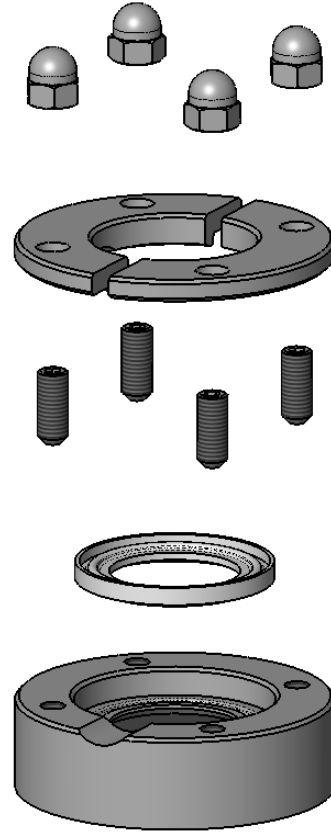
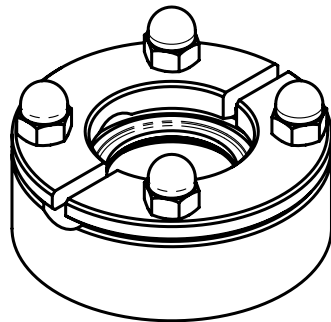
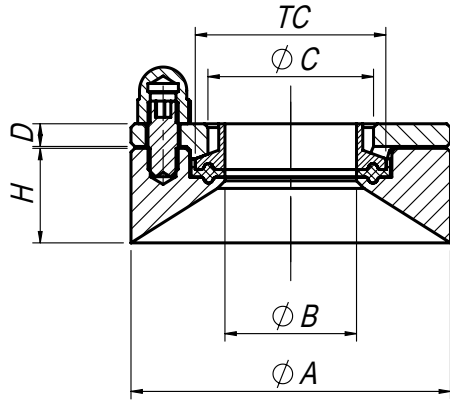


STERIFLANGE®

According to Tube standard DIN 11850 Series 1-3



Name	Tube	TC	A	B	C	D	Studs	AISI 316L/EN 1.4404				1.4435			
								H and Art.No.				H and Art.No.			
								12	25	38	51	12	25	38	51
SF DIN 10	12-14	34	69.5	10	23.5	6	4x M8x20	107681	107691	107701	107711	108089	108099	108109	108119
SF DIN 16	18-20	34	69.5	16	23.5	6	4x M8x20	107682	107692	107702	107712	108090	108100	108110	108120
SF DIN 20	22-24	34	69.5	20	23.5	6	4x M8x20	107683	107693	107703	107713	108091	108101	108111	108121
SF DIN 25	28-30	50.5	84.5	26	43.8	6	4x M8x20	107684	107694	107704	107714	108092	108102	108112	108122
SF DIN 32	34-36	50.5	84.5	32	43.8	6	4x M8x20	107685	107695	107705	107715	108093	108103	108113	108123
SF DIN 40	40-42	50.5	84.5	38	43.8	6	4x M8x20	107686	107696	107706	107716	108094	108104	108114	108124
SF DIN 50	52-54	64	99.5	50	55	6	4x M8x20	107687	107697	107707	107717	108095	108105	108115	108125
SF DIN 65	70	91	131	66	78	10	6x M8x25	107688	107698	107708	107718	108096	108106	108116	108126
SF DIN 80	85	106	146	81	93	10	6x M8x25	107689	107699	107709	107719	108097	108107	108117	108127
SF DIN 100	104	119	169.5	100	105	10	8x M8x25	107690	107700	107710	107720	108098	108108	108118	108128

Complete name = Name/H, ex: SF DIN 10/12



STERIDOSE®
www.steridose.com

A company in the Roplan group