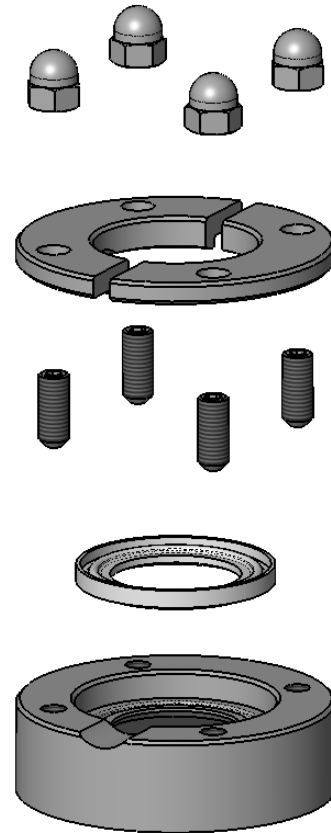
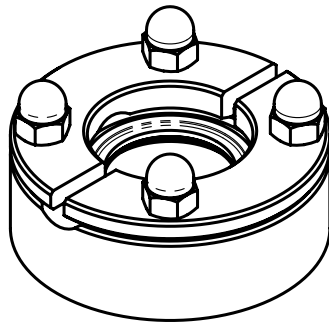
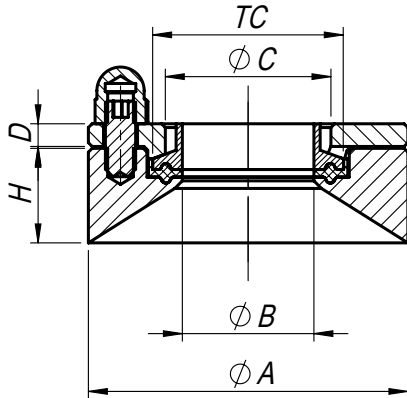


STERIFLANGE®

According to Tube standard ISO 1127 Series 1



Name	Dimensions							Material (Weld ring)							
	Tube	TC	A	B	C	D	Studs	AISI 316L/EN 1.4404				1.4435			
								H and Art.No.				H and Art.No.			
								12	25	38	51	12	25	38	51
SF ISO 8	13.5	25	54.5	10.2	20	6	4x M6x20	107924	107935	107946	107957	108313	108324	108335	108346
SF ISO 10	17.2	34	69.5	14	23.5	6	4x M8x20	107925	107936	107947	107958	108314	108325	108336	108347
SF ISO 15	21.3	34	69.5	18.1	23.5	6	4x M8x20	107926	107937	107948	107959	108315	108326	108337	108348
SF ISO 20	26.9	50.5	84.5	23.7	43.8	6	4x M8x20	107927	107938	107949	107960	108316	108327	108338	108349
SF ISO 25	33.7	50.5	84.5	29.7	43.8	6	4x M8x20	107928	107939	107950	107961	108317	108328	108339	108350
SF ISO 32	42.4	64	99.5	38.4	55	6	4x M8x20	107929	107940	107951	107962	108318	108329	108340	108351
SF ISO 40	48.3	64	99.5	44.3	55	6	4x M8x20	107930	107941	107952	107963	108319	108330	108341	108352
SF ISO 50	60.3	77.5	112	56.3	65.5	10	4x M8x25	107931	107942	107953	107964	108320	108331	108342	108353
SF ISO 65	76.1	91	131	71.5	78	10	6x M8x25	107932	107943	107954	107965	108321	108332	108343	108354
SF ISO 80	88.9	106	146	84.3	93	10	6x M8x25	107933	107944	107955	107966	108322	108333	108344	108355
SF ISO 100	114.3	130	169.5	109.7	117	10	8x M8x25	107934	107945	107956	107967	108323	108334	108345	108356

Complete name = Name/H, ex: SF ISO 8/12



STERIDOSE®
www.steridose.com

A company in the Roplan group