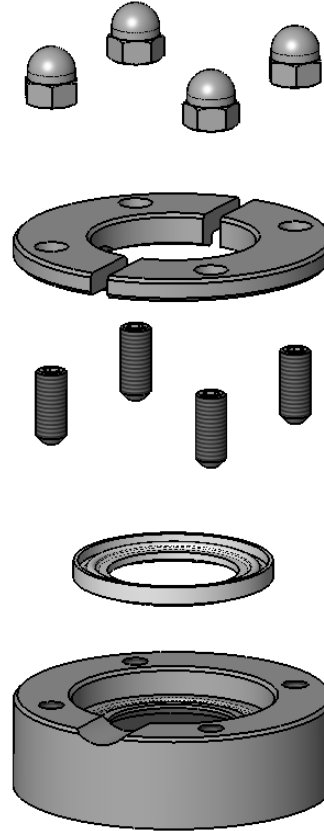
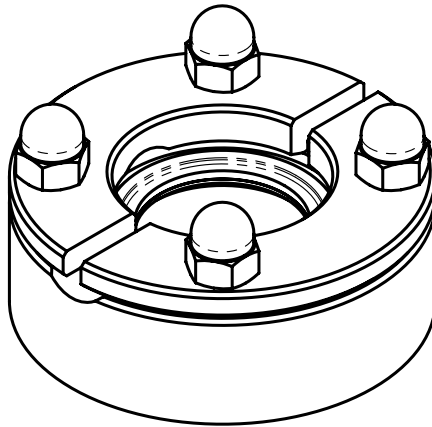
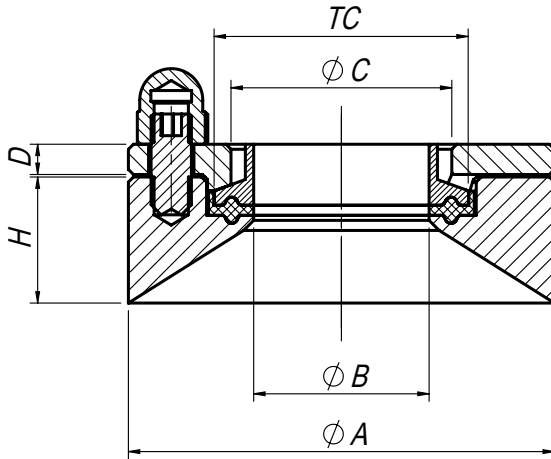


# STERIFLANGE®

## According to Tube standard SMS 3008



Name	Dimensions							Material (Weld ring)							
	Tube	TC	A	B	C	D	Studs	AISI 316L/EN 1.4404				1.4435			
								H and Art.No.				H and Art.No.			
								12	25	38	51	12	25	38	51
SF SMS 12	12	25	54.5	10	20	6	4x M6x20	107609	107617	107625	107633	108025	108033	108041	108049
SF SMS 18	18	25	54.5	15	20	6	4x M6x20	107610	107618	107626	107634	108026	108034	108042	108050
SF SMS 25	25	50.5	84.5	22.6	43.8	6	4x M8x20	107611	107619	107627	107635	108027	108035	108043	108051
SF SMS 38	38	50.5	84.5	35.6	43.8	6	4x M8x20	107612	107620	107628	107636	108028	108036	108044	108052
SF SMS 51	51	64	99.5	48.6	55	6	4x M8x20	107613	107621	107629	107637	108029	108037	108045	108053
SF SMS 64	63.5	77.5	112	60.3	65.5	10	4x M8x25	107614	107622	107630	107638	108030	108038	108046	108054
SF SMS 76	76.1	91	131	72.9	78	10	6x M8x25	107615	107623	107631	107639	108031	108039	108047	108055
SF SMS 100	101.6	119	169.5	97.6	105	10	8x M8x25	107616	107624	107632	107640	108032	108040	108048	108056

Complete name = Name/H, ex: SF SMS 12/12



**STERIDOSE®**  
www.steridose.com

A company in the Roplan group